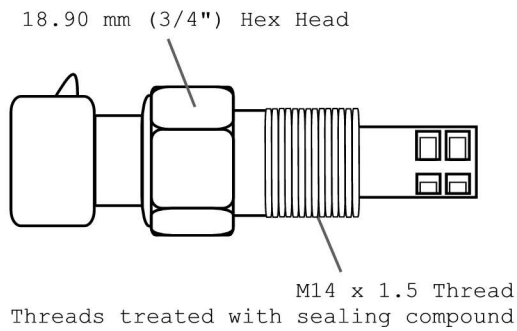


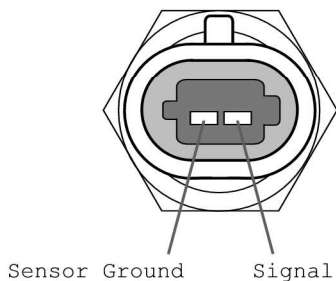
Data Sheet: GM Delco IAT Sensor
 Thread version: M14x1.5

Type: Thermistor Sensor
 Housing: Brass
 Temp. Range: -40°C to 135°C
 Hex Size: 18.90 mm (3/4")
 Thread Size: M14 x 1.5
 Sealing Pressure: 200kPa
 Power Supply: 5VDC
 Calibration Accuracy: ±1.6°C
 Output: 0 to 5V
 Connector: Delphi 2 Pin

Side Sensor View:



Rear Sensor View:



Calibration Table:

Volts	0.45	0.78	0.97	1.58	2.45	3.43	4.21	4.66
°C	120	100	90	70	50	30	10	-10

