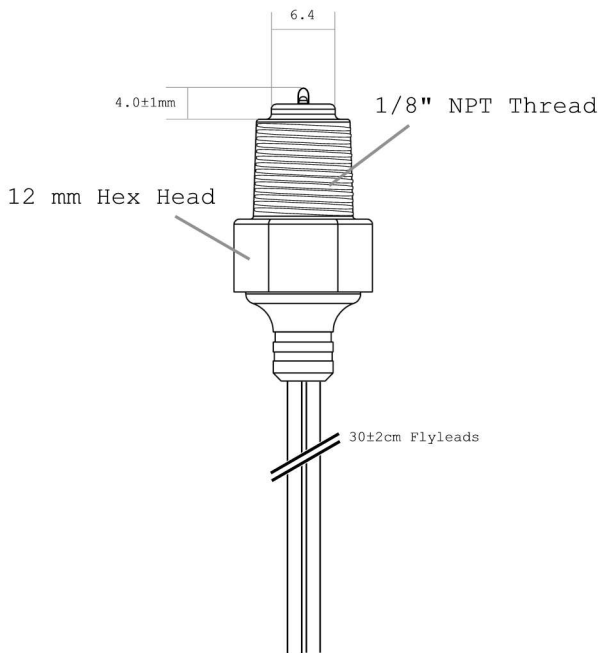


Data Sheet: MST5 Series Air Temperature Sensor

Part Number: MST5-FL-EAT-SS-G15

Type: Open Element Thermistor
Element Encapsulation: Glass
Housing: Stainless Steel 304L
Temp. Range: -30°C to 150°C
-22°F to 302°F
Hex Size: 12 mm
Thread Size: 1/8" NPT
Leads: Tefzel M22759/32-22

Side View:



Signal & Sensor Wires
(Not Polarity Specific)

Calibration Table:

| Temperature (°C/°F) | Resistance (Ω) | Voltage (V) 1kΩ Pull-Up @ 5VDC |
|------------------------|-------------------|-----------------------------------|
| -30 / -22 | 50601 | 4.903 |
| -25 / -13 | 36877 | 4.868 |
| -20 / -4 | 27192 | 4.823 |
| -15 / 5 | 20274 | 4.765 |
| -10 / 14 | 15275 | 4.693 |
| -5 / 23 | 11622 | 4.604 |
| 0 / 32 | 8926 | 4.496 |
| 5 / 41 | 6916 | 4.368 |
| 10 / 50 | 5404 | 4.219 |
| 15 / 59 | 4256 | 4.049 |
| 20 / 68 | 3378 | 3.858 |
| 25 / 77 | 2700 | 3.649 |
| 30 / 86 | 2172 | 3.424 |
| 35 / 95 | 1760 | 3.188 |
| 40 / 104 | 1434 | 2.946 |
| 45 / 113 | 1176 | 2.702 |
| 50 / 122 | 970 | 2.462 |
| 55 / 131 | 804 | 2.228 |
| 60 / 140 | 670 | 2.006 |
| 65 / 149 | 561 | 1.757 |
| 70 / 158 | 472 | 1.603 |
| 75 / 167 | 399 | 1.426 |
| 80 / 176 | 338 | 1.263 |
| 85 / 185 | 288 | 1.118 |
| 90 / 194 | 247 | 0.990 |
| 95 / 203 | 212 | 0.875 |
| 100 / 212 | 183 | 0.773 |
| 105 / 221 | 158 | 0.682 |
| 110 / 230 | 137 | 0.602 |
| 115 / 239 | 120 | 0.536 |
| 120 / 248 | 105 | 0.475 |
| 125 / 257 | 92 | 0.421 |
| 130 / 266 | 80 | 0.370 |
| 135 / 275 | 71 | 0.318 |
| 140 / 284 | 63 | 0.283 |
| 145 / 293 | 56 | 0.252 |
| 150 / 302 | 49 | 0.234 |

Note: Metal hex head section must be used to tighten the sensors only. Rotational force on the plastic flylead body can potentially cause damage to the sensor assembly. Excessive force on flyleads will damage internal connector to element. Syltech takes no responsibility for any damage incurred by incorrect installation or use of this sensor. If unsure, please consult a qualified Auto Electrician for correct fitment and wiring. Off-road use only.