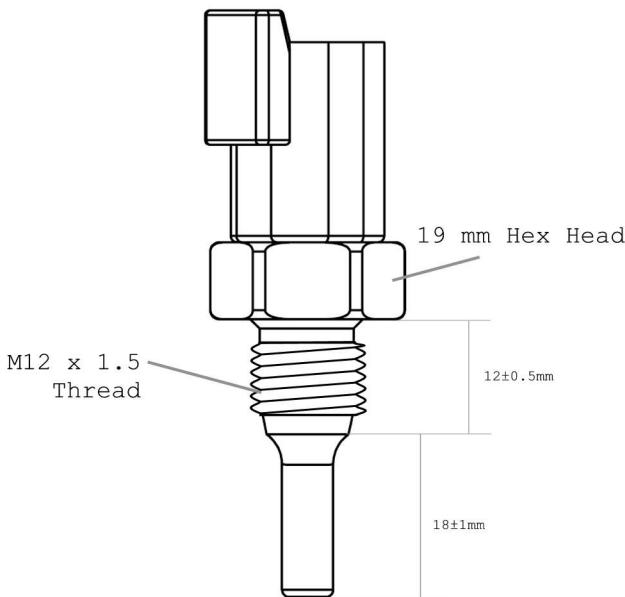


Data Sheet: MSTS Series Fluid Temperature Sensor

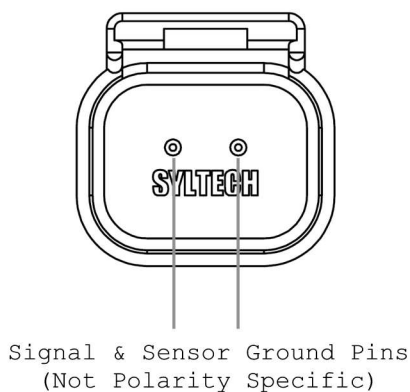
Part Number: MSTS-2P-M12C-AL-NIS

Type: Closed Element Thermistor  
Element Encapsulation: Glass  
Housing: Hard Anodized Alloy  
Temp. Range: -40°C to 150°C  
-40°F to 302°F  
Hex Size: 19 mm  
Thread Size: M12 x 1.5  
Connection: DTM04-2P, 2 Pin  
Mating connector: DTM06-2S

Side View:



Rear View:



Calibration Table:

Temperature (°C/°F)	Resistance (Ω)	Voltage (V) 1kΩ Pull-Up @ 5VDC
<b>-40/-40</b>	<b>45359</b>	<b>4.89</b>
-35/-31	33864	4.86
<b>-30/-22</b>	<b>25550</b>	<b>4.81</b>
-25/-13	19469	4.76
<b>-20/ -4</b>	<b>14976</b>	<b>4.69</b>
-15/ 5	11622	4.60
<b>-10/ 14</b>	<b>9095</b>	<b>4.50</b>
-5 / 23	7175	4.39
<b>0 / 32</b>	<b>5702</b>	<b>4.25</b>
5 / 41	4565	4.10
<b>10 / 50</b>	<b>3679</b>	<b>3.93</b>
15 / 59	2984	3.74
<b>20 / 68</b>	<b>2436</b>	<b>3.54</b>
25 / 77	2000	3.33
<b>30 / 86</b>	<b>1651</b>	<b>3.11</b>
35 / 95	1371	2.89
<b>40 / 104</b>	<b>1144</b>	<b>2.67</b>
45 / 113	959	2.45
<b>50 / 122</b>	<b>808</b>	<b>2.23</b>
55 / 131	684	2.03
<b>60 / 140</b>	<b>581</b>	<b>1.84</b>
65 / 149	496	1.66
<b>70 / 158</b>	<b>425</b>	<b>1.49</b>
75 / 167	366	1.34
<b>80 / 176</b>	<b>316</b>	<b>1.20</b>
85 / 185	274	1.08
<b>90 / 194</b>	<b>238</b>	<b>0.96</b>
95 / 203	208	0.86
<b>100 / 212</b>	<b>182</b>	<b>0.77</b>
105 / 221	160	0.69
<b>110 / 230</b>	<b>141</b>	<b>0.62</b>
115 / 239	124	0.55
<b>120 / 248</b>	<b>110</b>	<b>0.50</b>
125 / 257	98	0.45
<b>130 / 266</b>	<b>87</b>	<b>0.40</b>
135 / 275	78	0.36
<b>140 / 284</b>	<b>70</b>	<b>0.33</b>
145 / 293	62	0.29
<b>150 / 302</b>	<b>56</b>	<b>0.27</b>

Note: Metal hex head section must be used to tighten sensor only. Rotational force on the plastic connector body can potentially cause damage to the sensor assembly. Syltech takes no responsibility for any damage incurred by incorrect installation or use of this sensor. If unsure, please consult a qualified Auto Electrician for correct fitment and wiring. Off-road use only.